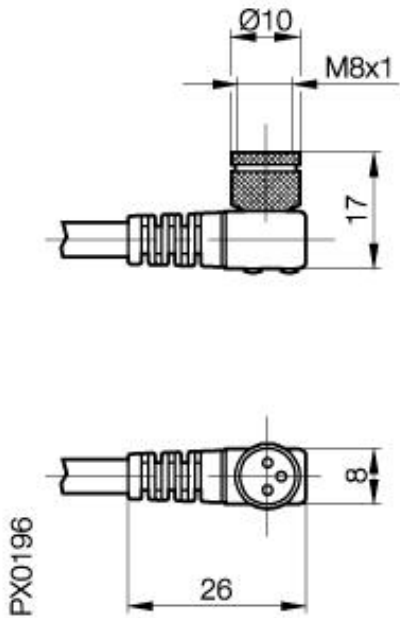


## Accessories: Connectors BKS-S 49-1-PU-



### Common Data

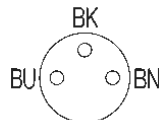
|                        |   |
|------------------------|---|
| Version                | Connector, right angle, 3-pin           |
| Usable with            | on Sensors with connection S49 (DC, M8) |
| Manufacturer           | Lumberg                                 |
| Ambient temperature    | -25°C...+80°C                           |
| Function display       | no                                      |
| Supply voltage display | no                                      |

### Mechanical Data

|                                |                          |
|--------------------------------|--------------------------|
| Measurements WxHxD or Dia x D  | 26x17x10                 |
| Material                       | Housing Polyester TPU    |
| Protection class per IEC 60529 | IP67                     |
| Cable version                  | fully potted, Li9YH-11YH |
| Conductor cross section        | 3 x 0,34mm <sup>2</sup>  |

### Electrical Data

|                |            |
|----------------|------------|
| Supply voltage | 10...30VDC |
|----------------|------------|



Datasheet number::

Definitions see general catalog.  
If not otherwise noted, ratings according to  
IEC 60947-5-2 (DIN EN60947-5-2)

Balluff GmbH  
Schurwaldstrasse 9  
73765 Neuhausen a.d.F.  
Phone (07158) 173-0 Fax (07158) 5010

Datenblatt by CD-ROM - 04/2007

**BALLUFF**  
sensors worldwide